

Quick Start Guide for Nodegrid Serial Console

Security Warning

Nodegrid Serial Console provides extensive access to the devices attached to it. Precautions must be taken to avoid compromising your security policies.

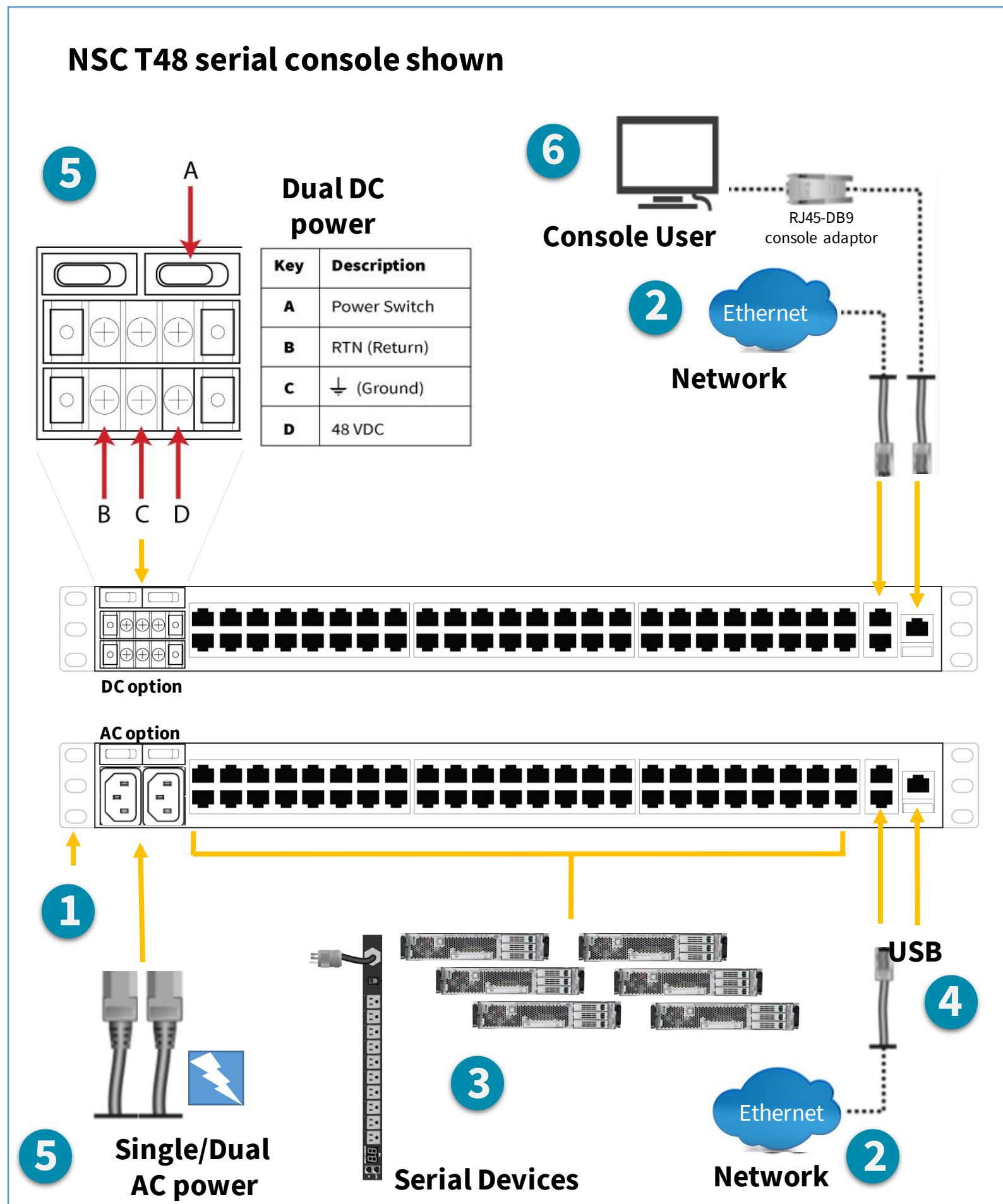
From the factory, this equipment is shipped with the following settings:

- DHCP, SSHv2, HTTPS – ENABLED
- All Serial ports – DISABLED
- Ethernet, USB and Serial Console Ports – ENABLED

Users will be required to create a password the first time they login to the device.

Note: root access has been disabled for security reasons.

Please consult the *Nodegrid User Guide* for more information on security settings.



For manual downloads, visit: www.zpesystems.com/document-library/

The following instructions will help you install your NSC. For further assistance please contact [ZPE Technical Support](#).

1 Mount your NSC appliance

For detailed rack mounting instructions, see the *Nodegrid User Guide* which is available on the [Document Library](#).

2 Connect to your network

Connect a ZPE-recommended CAT 5e or CAT 6 cable from the 10/100/1000BaseT port to your network. You may connect to either or both network ports for redundancy.

3 Connect serial devices

Using CAT 5e or CAT 6 cables and DB9 or DB25 console adaptors, connect the appropriate serial devices to the serial ports on the NSC.

4 Connect USB devices

Connect a supported USB device to the appropriate ports located on the front of the serial console.

Quick Start Guide for Nodegrid Serial Console

5 Connect power cable(s) and turn on the NSC

Connect power cable(s) between the appliance and your power source(s). Turn on the power switch(es).

6 Connect to the Serial Console port

Using an RJ-45 console adaptor, connect a terminal or workstation to the serial console port on the NSC. The NSC will be configured using a terminal or terminal emulator with session settings of: 115,200, 8, N and 1, with no flow control.

Note: All remaining manual setup steps are required the first time you configure your NSC.

7 Configure network parameters

NOTE: Skip to **step 8** if you have a DHCP environment. DHCP is the default IP configuration. If no DHCP server is available, please log in to Nodegrid Serial Console using **admin** credentials (you will be required to change password on the first login) and configure a static IP address using CLI instructions as follows:

```
[admin@nodegrid /]# cd /settings/network_connections/ETH0
[admin@nodegrid ETH0]# set ipv4_mode=static
[+admin@nodegrid ETH0]# set ipv4_address=10.0.0.10
[+admin@nodegrid ETH0]# set ipv4_bitmask=24
[+admin@nodegrid ETH0]# set ipv4_gateway=10.0.0.1
[+admin@nodegrid ETH0]# show
name: ETH0
type: Ethernet
ethernet_interface = eth0
description =
connect_automatically=yes
set_as_primary_connection = yes
enable_lldp = no
ipv4_mode = static
ipv4_address = 10.0.0.10
ipv4_bitmask = 24
ipv4_gateway = 10.0.0.1
ipv4_dns_server =
ipv4_dns_search =
ipv4_default_route_metric = 90
ipv4_ignore_obtained_default_gateway=no
ipv6_mode = address_auto_configuration
ipv6_dns_server =
ipv6_dns_search =
ipv6_default_route_metric = 90
ipv6_ignore_obtained_default_gateway=no
[+admin@nodegrid ETH0]# commit
```

8 Configure serial, network & USB devices

Note: Your NSC will respond over the network at **192.168.160.10** if your DHCP server fails or is unavailable.

Note: To check your current IP address, connect to the NSC console port and hit **Enter** at the login prompt until you see the IP address.

To configure the NSC T-Series for the first time via Network:

a) Open a web browser (HTTP/S) and enter its IP address in the address field. Or start an SSH session to your NSC's IP address.

b) Log in to your NSC as **admin**. You will be required to change password on the first login.

Set your system security options as described below.

Step 1 - Security

Security services tab: Select the desired services, cryptographic protocols and cipher suite levels. Click *Save* when finished.

Step 2 - Network

Network settings tab: Set your desired Network and Interfaces parameters. Click *Save* for each submenu.

Step 3 - Ports

Managed Devices tab: Select local serial console port checkboxes and click "Edit." Set your preferences and click *Save* when finished.

Step 4 - Change Admin Password

At any time, click [login@domain.com](#) in the upper right corner of your screen and click "Change Password" to change your system password.

Congratulations!

Your Nodegrid Serial Console is now configured and ready to accept users and connections to its ports.

9 Additional Configuration

NOTE: We recommend that you set up a **new** Administrator account (in *admin* group with full privileges) and use the new account instead of the default *admin* account.

Add New Users

Click Security tab, Local Accounts, Add, set options, *Save*.

Alerts & logging

Set and send alerts by email, SMS, and/or SNMP.

Power

Control network attached PDU power strips and server, network and storage devices.

For additional configuration options, please refer to the *Nodegrid User Guide*.

10 Get technical updates

To automatically receive future firmware updates and technical information, sign up here:

www.zpesystems.com/loop/